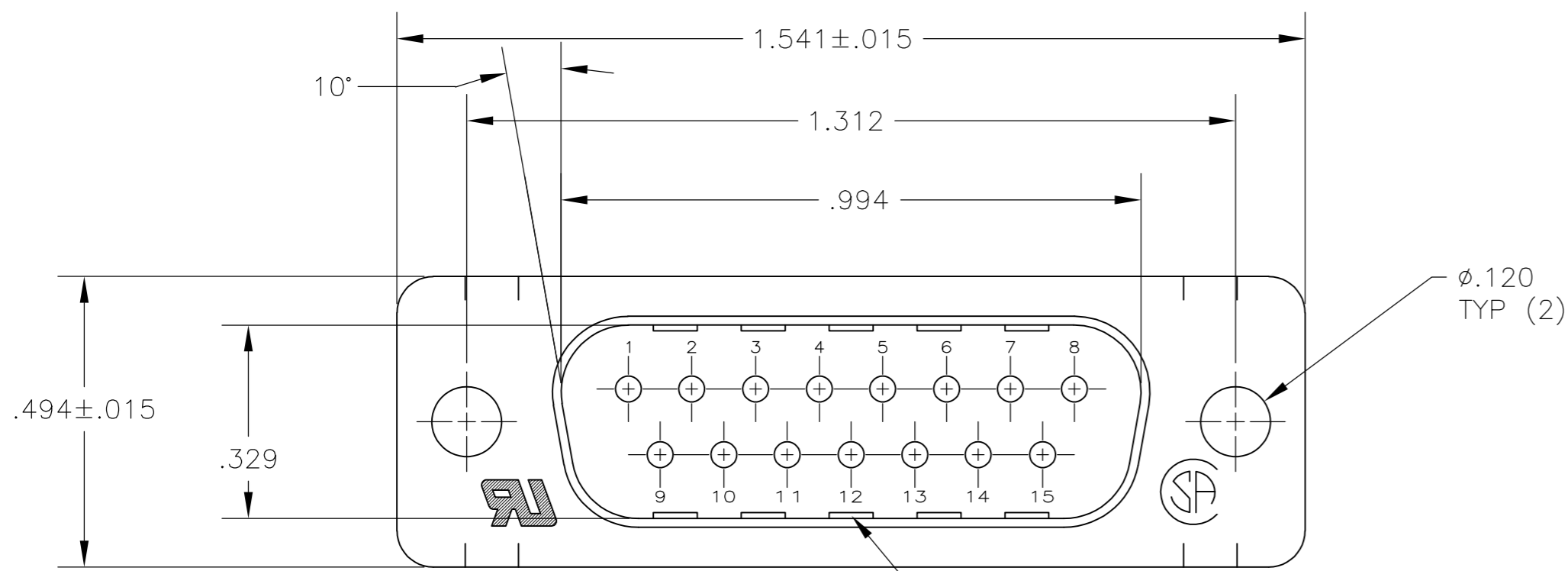
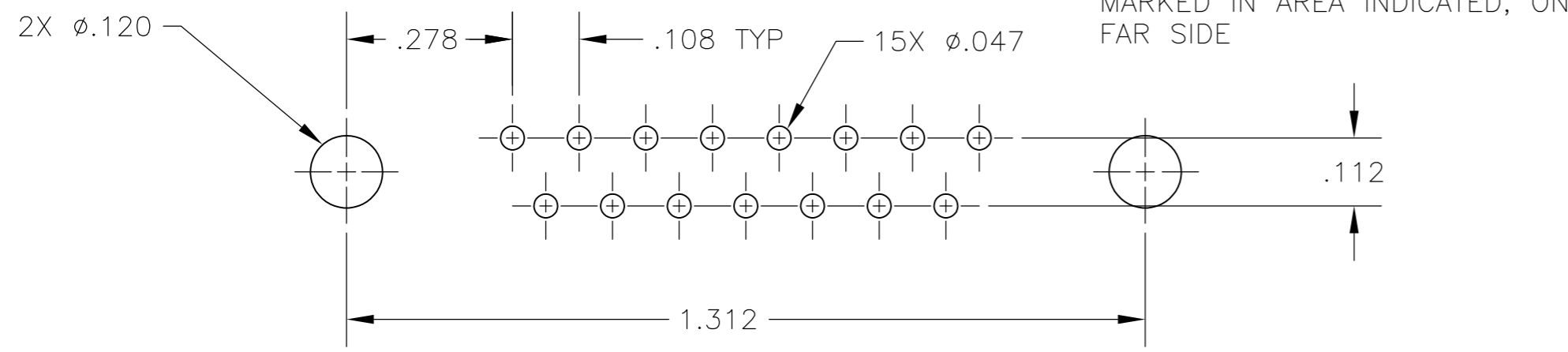
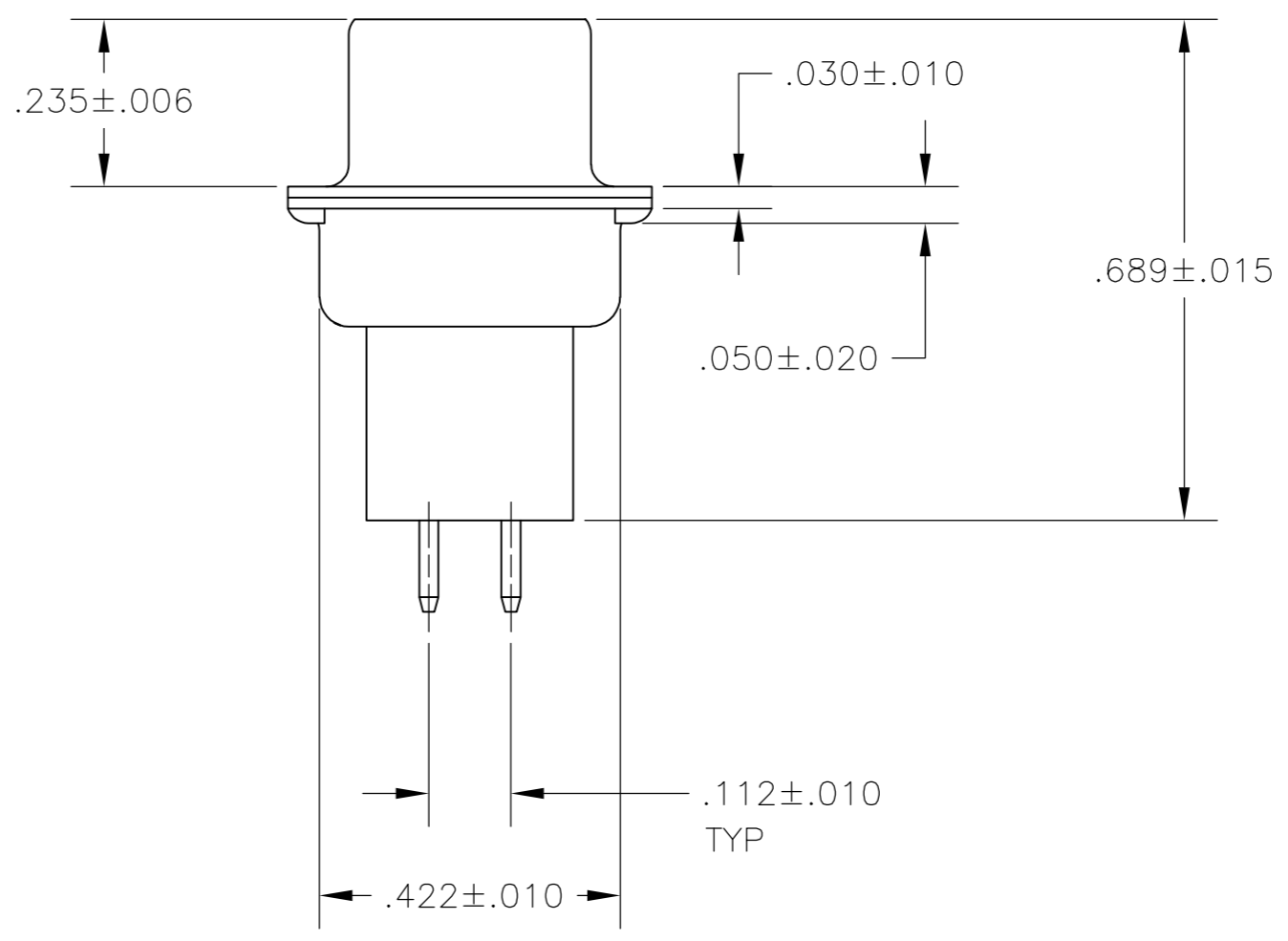
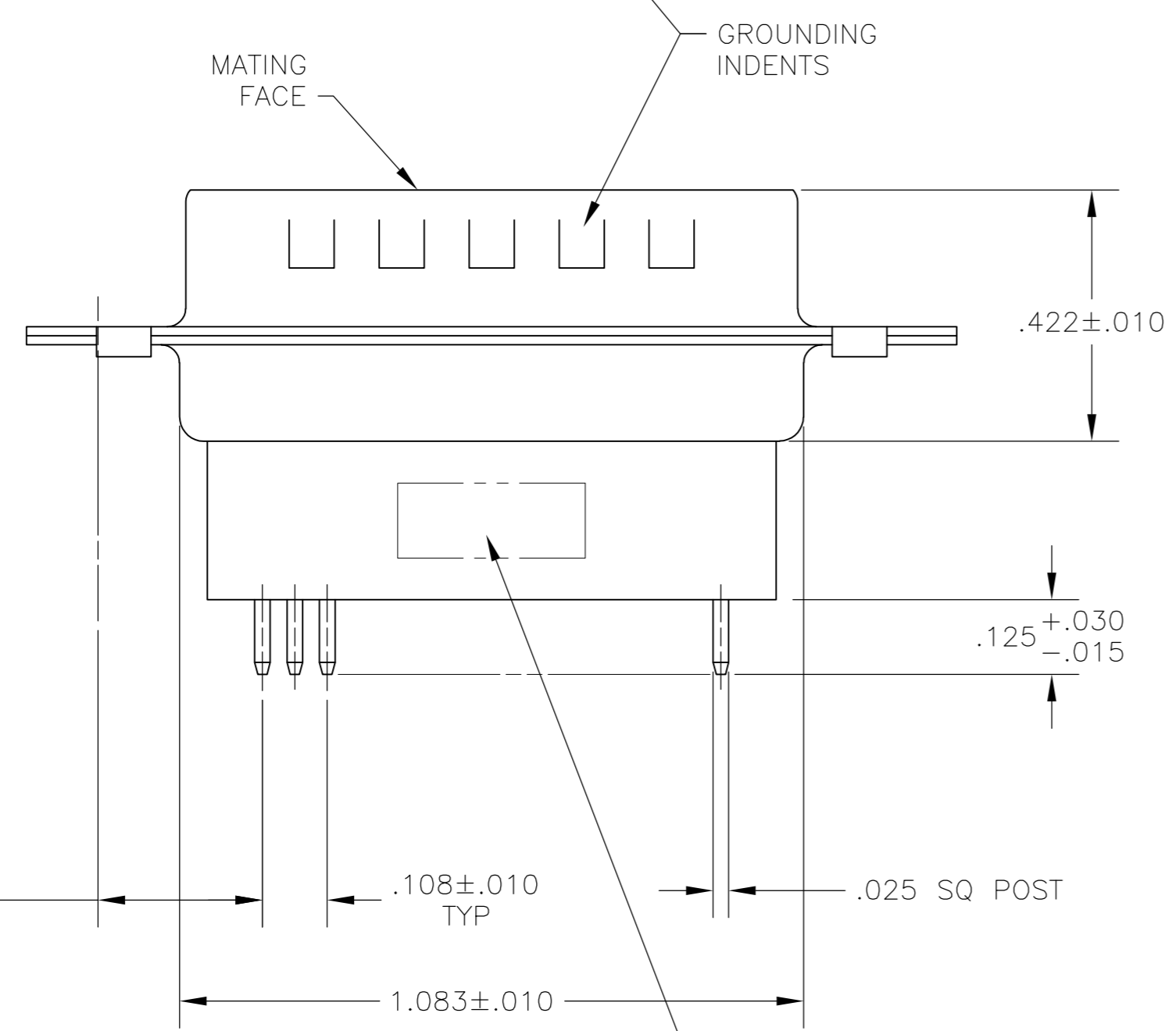


THIS DRAWING IS UNPUBLISHED. RELEASED FOR PUBLICATION  
 © COPYRIGHT BY TYCO ELECTRONICS CORPORATION. ALL RIGHTS RESERVED.

LOC		DIST		REVISIONS			
P	LTR	DESCRIPTION	DATE	DWN	APVD		
GP	00						
	C	REVISED PER ECO-10-000073	3FEB2010	CJV	SB		



- 1 MOLDED PARTS: FLAME RETARDANT, UL 94V-0 RATED, THERMOPLASTIC, COLOR BLACK.  
SHELL: CARBON STEEL  
CONTACTS: BRASS
- 2 SHELLS: .000200 MIN TIN OVER .000100 COPPER.  
CONTACTS: GOLD PLATING FOR A LENGTH OF .150 MIN FROM MATING END, .000030 MIN GOLD IN MATED AREA, .000100 MIN TIN ON SOLDER END, BOTH OVER .000050 MIN NICKEL.  
-OR-  
GOLD FLASH OVER PALLADIUM-NICKEL PLATED FOR A LENGTH OF .150 MIN FROM MATING END, .000030 MIN TOTAL IN MATED AREA, .000100 MIN TIN ON SOLDER END, BOTH OVER .000050 MIN NICKEL.



P.C. BOARD MOUNTING DIMENSIONS

TYCO, PART NO & DATE CODE, MARKED IN AREA INDICATED, ON FAR SIDE

5745411-1  
PART NO

THIS DRAWING IS A CONTROLLED DOCUMENT.		DWN B. LATTUCA 15SEPT05	Tyco Electronics Corporation Harrisburg, Pa 17105-3608
DIMENSIONS: INCHES		CHK J. GERACE 15SEPT05	
TOLERANCES UNLESS OTHERWISE SPECIFIED:		APVD M. WALMSLEY 15SEPT05	NAME
0 PLC ± -	1 PLC ± -	PRODUCT SPEC	PLUG ASSEMBLY, SIZE 2, 15 POS, VERTICAL, .025 SQ POSTS, GROUNDING INDENTS, AMPLIMITE HDP
2 PLC ± .005	3 PLC ± -	APPLICATION SPEC	SIZE CAGE CODE DRAWING NO RESTRICTED TO
4 PLC ± -	ANGLES ± 2°	114-40013	A2 00779 C=5745411
MATERIAL	FINISH	WEIGHT -	SCALE NTS SHEET 1 OF 1 REV C
1	2	CUSTOMER DRAWING	